

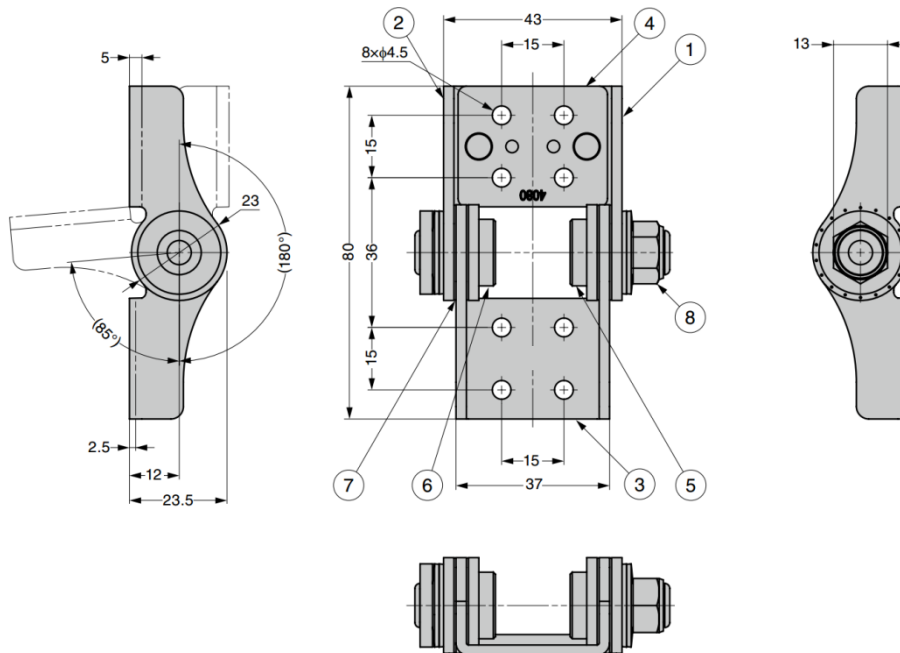
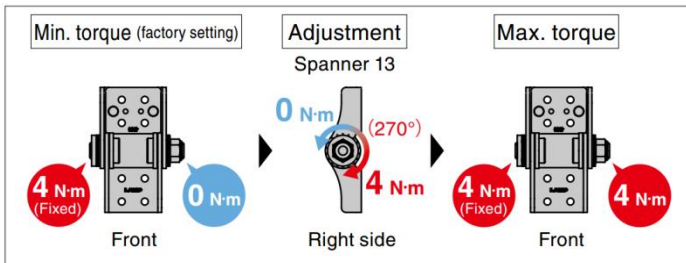
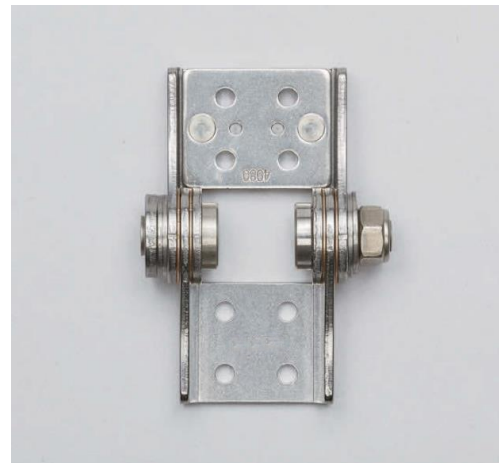
GHG-ITJ Adjustable Stainless Steel Torque Hinge

Features

- Hinge with friction torque holds lid / door in desired position
- Torque adjustable from 4 to 8 N.m
- To prevent accidental fall of door or lid, minimum torque is set at 4 N.m
- High torque and space-saving type
- Passed 20,000 life cycle test

Notes

- Operating temperature: 0°C ~ 40°C
- Ensure that both hinge shafts are levelled and aligned during installation
- Use a spanner (nominal size 13) for torque adjustment
- Do not forcibly remove the torque adjustment nut



No.	Part Name	Material	Finish
①	Bracket A	Stainless Steel (SUS430)	Barrel Polished
②	Bracket B		
③	Bracket C		
④	Connecting Plate	Stainless Steel	-
⑤	Shaft A		
⑥	Shaft B	Bronze	Barrel Polished
⑦	Washer		
⑧	Torque Adjustment Nut M8	Stainless Steel (SUSXM7)	-

Part No.	Torque (per piece)	
GHG-ITJ4080	4 ^{±20%} ~ 8 N.m	41 ^{±20%} ~ 82 kgf.cm